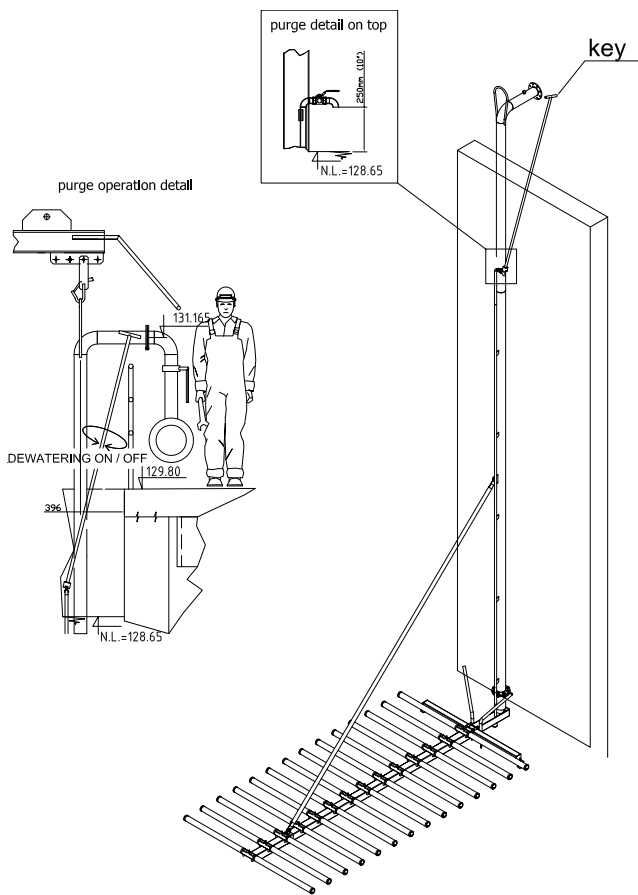


Handling of OTT Purge System



OTT GROUP

Purge system supplied by OTT is designed to be installed once per aeration grid and is usually located at the end of each manifold section or in line with drop pipe.



In case single aeration grids will be installed the purge can be connected either at the far end of the header or at the beginning at the lower end of the drop pie, both options will have the same function.

Location can be decided by operator upon where accessing is most suitable. Purge system can be executed in stainless steel or with a flexible hose connection.

Purge system will be running straight up at the tank wall and will end with two (2) 90° elbows with centered manual

ball valve for operation. Ball valve will be located about 250mm (10") above water level and can be maintained from walkways by a handle / key supplied by OTT.

Use the air purge valves to blow out condensate accumulation at regular intervals. The required time intervals are dependent on the piping system configuration, air throughput and other operating conditions as well as weather conditions. Check drainage traps of the main lines and drainage lines at regular intervals and empty as required.